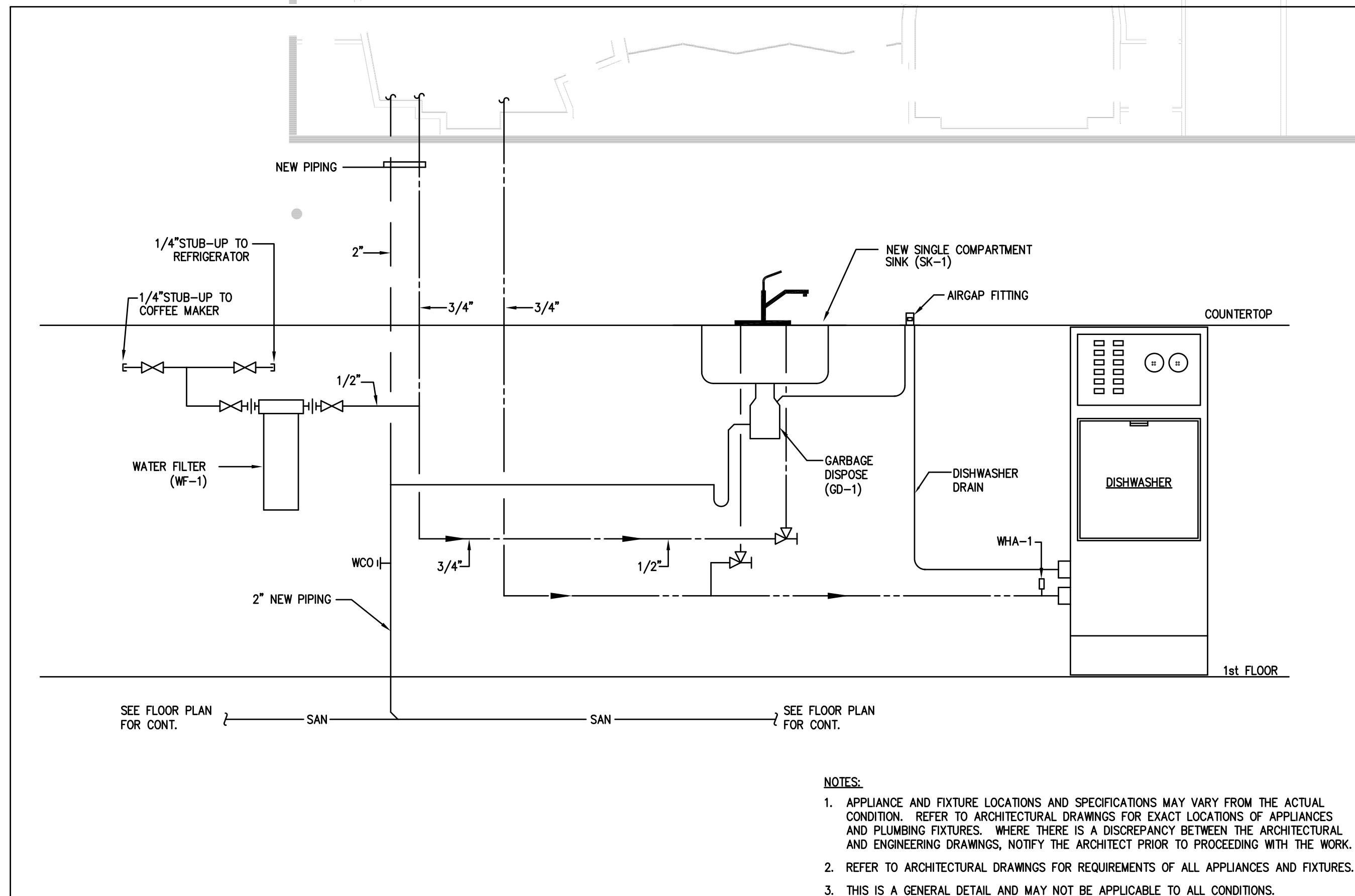








15260 Ventura Blvd. Suite 1520,  
Sherman Oaks, CA 91403  
tel: 818.508.6300 fax: 818.508.7050  
www.arceng.net

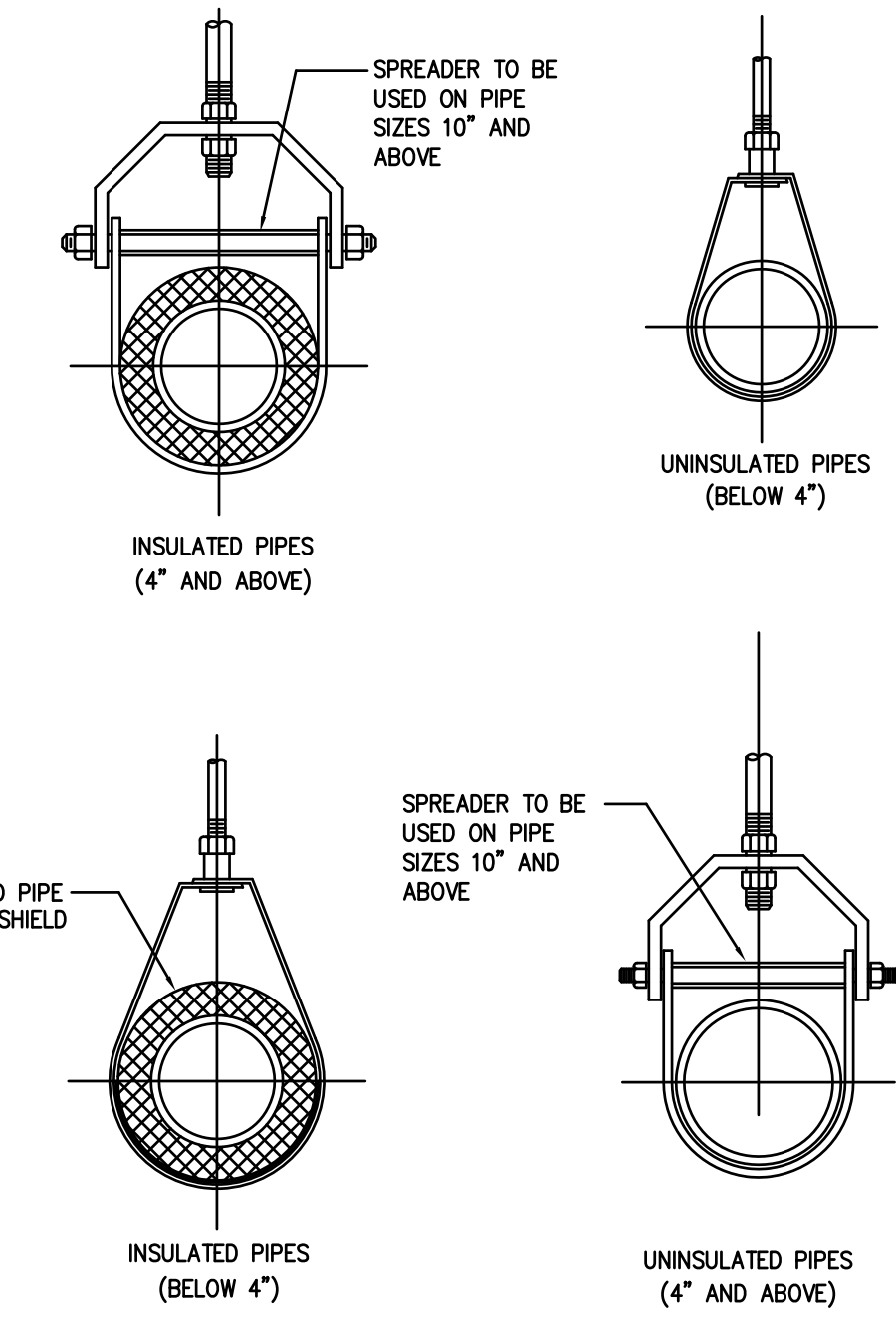


**SCHEDULE FOR SINGLE PIPE HANGERS 3/4" THRU 6"**

TYPE NO.	PIPE SIZE	ROD SIZE	MAXIMUM LOAD
1	3/4" THRU 2"	3/8"	500#
2	2 1/2" THRU 3 1/2"	1/2"	1000#
3	4" & 5"	5/8"	1500#
4	6"	3/4"	2000#

**PIPE SUPPORT SPACING SCHEDULE**

TYPE OF PIPE	SIZE	MAX. SPACING
STEEL	1-1/2" AND SMALLER	7 FT.
	2" AND LARGER	10 FT.
BRASS OR COPPER	3/4" AND SMALLER	5 FT.
	1" TO 1-1/4"	6 FT.
	1-1/2" TO 3"	7 FT.
	4" AND LARGER	10 FT.

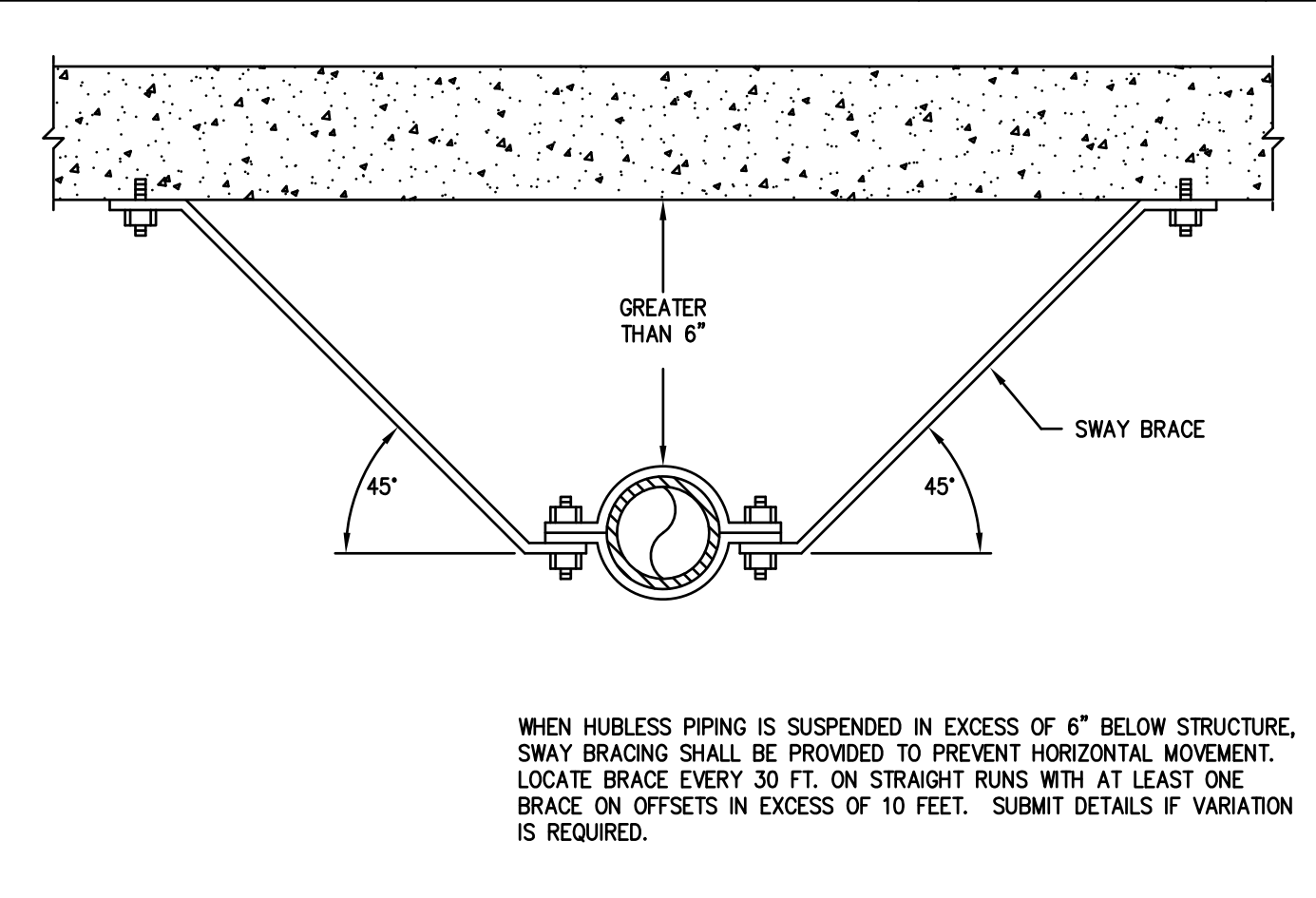
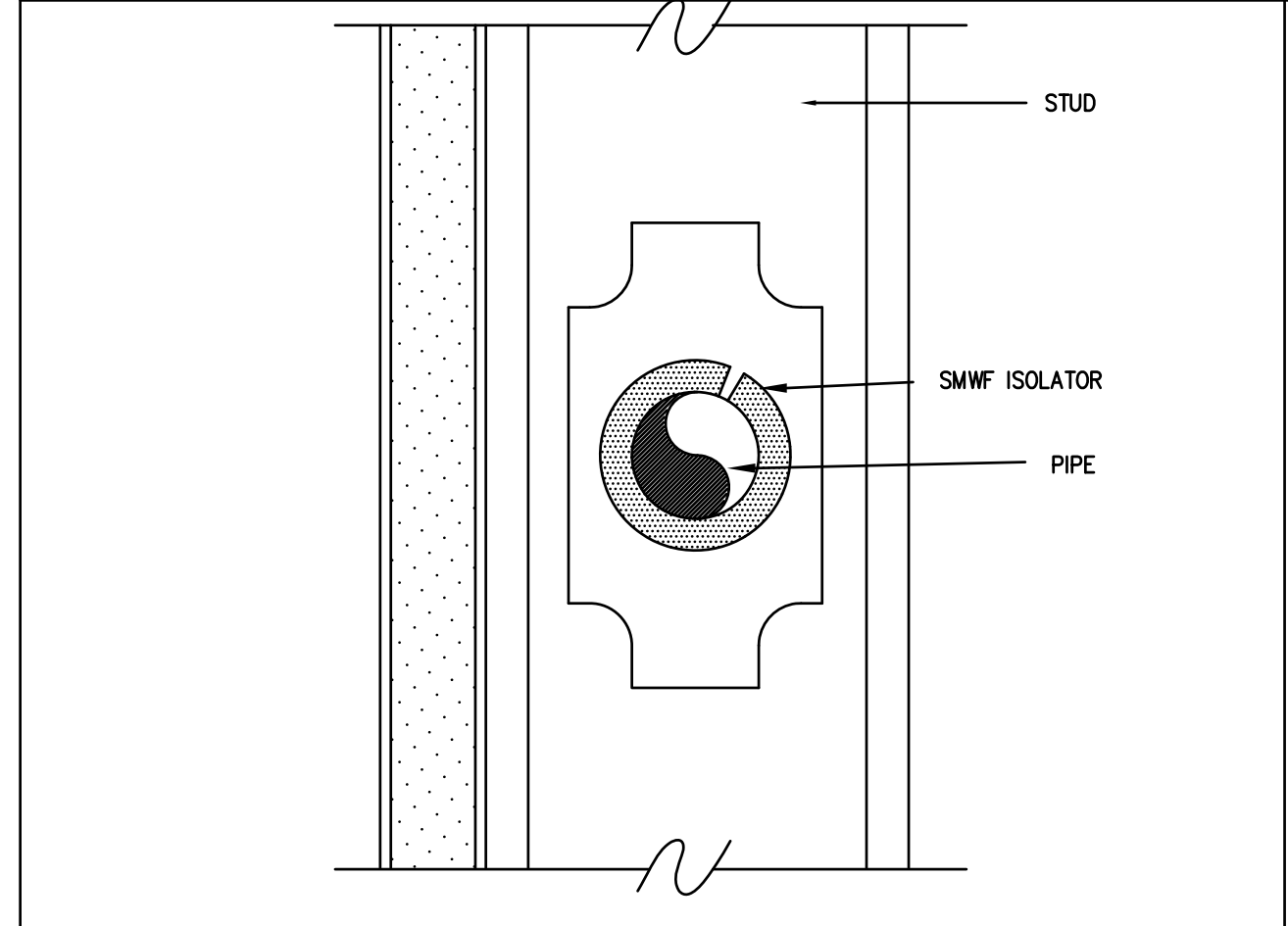


- NOTES:**
- SUPPORT PIPE HANGERS FROM STRUCTURAL BEAMS ONLY.
  - STRUCTURAL STEEL PENETRATIONS SHALL BE FIRST REVIEWED AND APPROVED BY THE STRUCTURAL ENGINEER (IF APPLICABLE).
  - HANGER AND ROD SHALL BE DIPPED IN ZINC CHROMATE PRIMER PRIOR TO INSTALLATION.
  - SCHEDULED DATA MAY ALSO BE USED FOR TRAPEZE HANGER SELECTION WITH EACH ROD NOT TO EXCEED THE LOADS SHOWN IN THE MAXIMUM LOAD COLUMN.
  - HANGER INSTALLATION AND METHOD OF ATTACHMENT TO STRUCTURE SHALL BE REVIEWED AND APPROVED BY THE STRUCTURAL ENGINEER PRIOR TO INSTALLATION.

- NOTES:**
- APPLIANCE AND FIXTURE LOCATIONS AND SPECIFICATIONS MAY VARY FROM THE ACTUAL CONDITION. REFER TO ARCHITECTURAL DRAWINGS FOR EXACT LOCATIONS OF APPLIANCES AND PLUMBING FIXTURES. WHERE THERE IS A DISCREPANCY BETWEEN THE ARCHITECTURAL AND ENGINEERING DRAWINGS, NOTIFY THE ARCHITECT PRIOR TO PROCEEDING WITH THE WORK.
  - REFER TO ARCHITECTURAL DRAWINGS FOR REQUIREMENTS OF ALL APPLIANCES AND FIXTURES.
  - THIS IS A GENERAL DETAIL AND MAY NOT BE APPLICABLE TO ALL CONDITIONS.

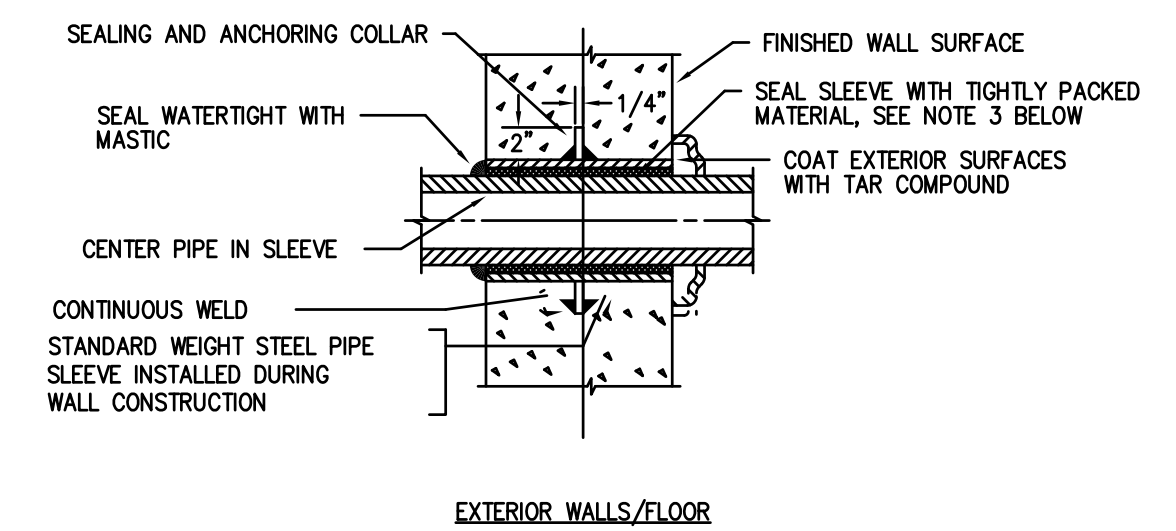
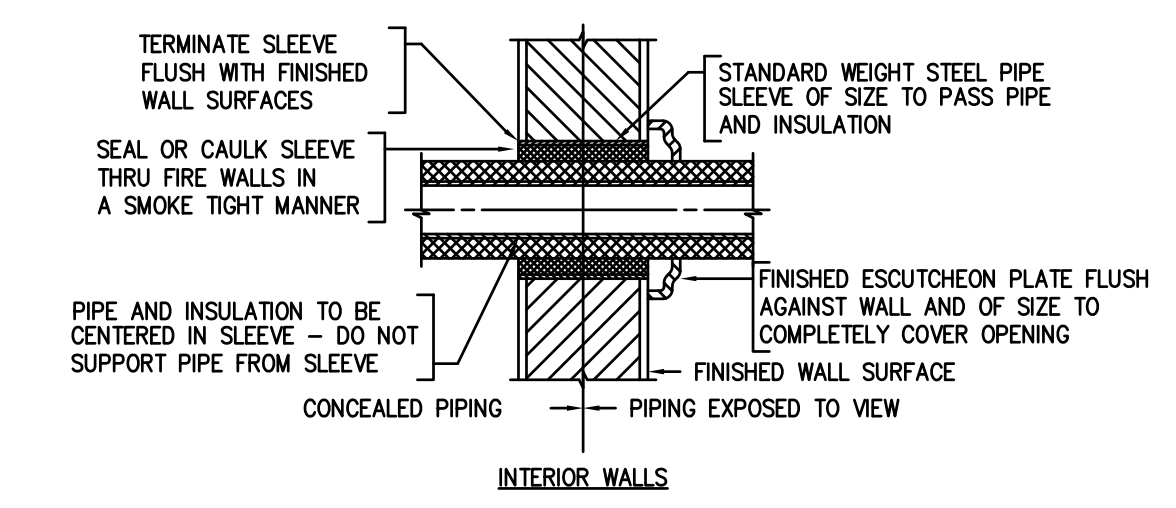
KITCHENETTE SINGLE COMPARTMENT SINK PIPING DIAGRAM

TYPICAL PIPE HANGER DETAIL

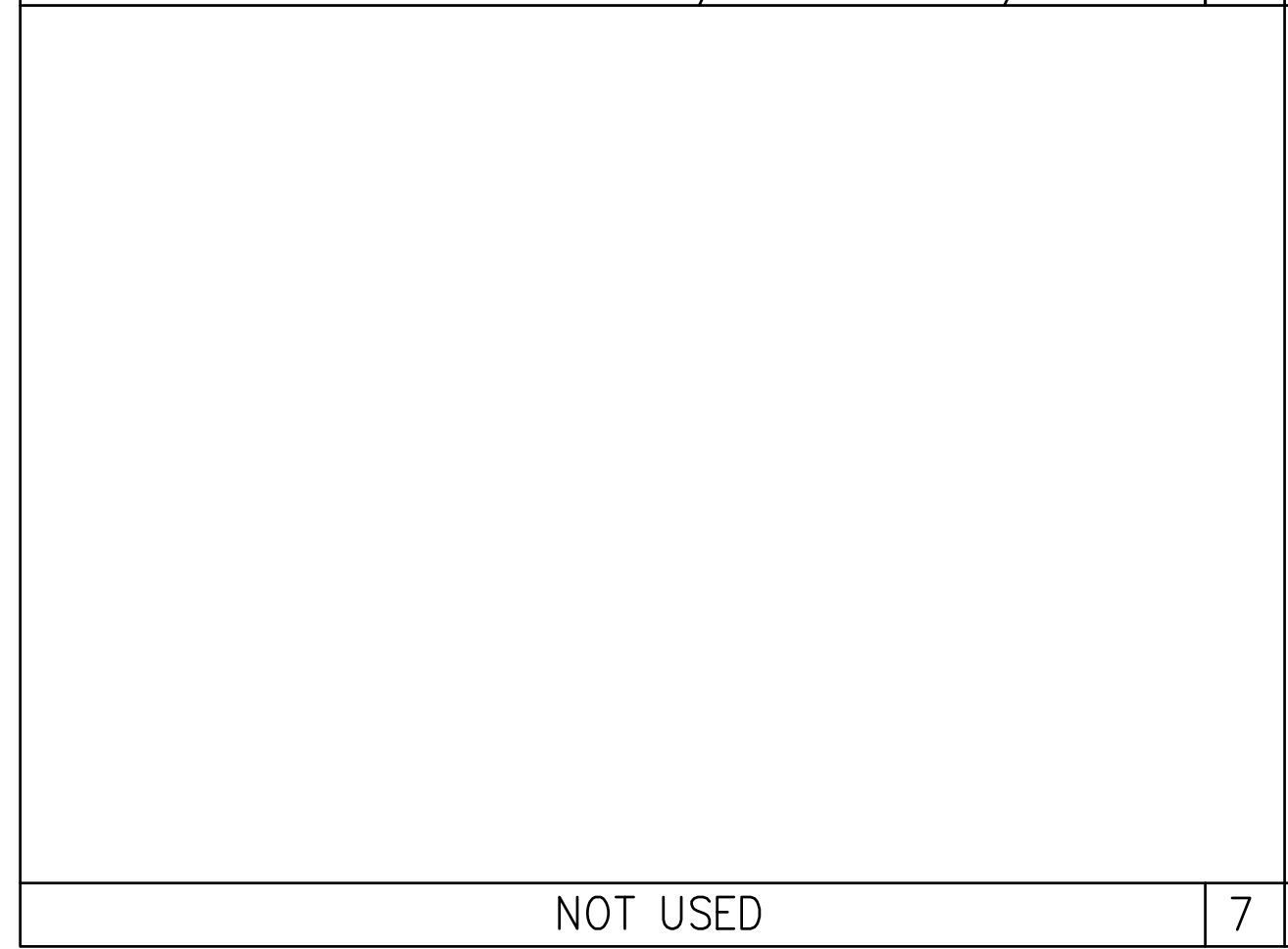


ISOL. OF PIPING PENET./THRU STUDS/PLATES

NO-HUB PIPE SWAY BRACING FOR HORIZONTAL PIPING



- NOTE:**
- PIPE SLEEVE FOR EXTERIOR WALL ABOVE OR BELOW GRADE.
  - FOR GAS SERVICE EXTEND SLEEVE 1" PAST INSIDE FACE OF WALL & 4" PAST OUTSIDE FACE OF WALL.
  - PLUMBING PIPING PENETRATING FIRE RATED WALLS SHALL BE SEALED IN A SMOKE TIGHT MANNER WITH SEALANT MATERIAL OF THE SAME RATING OF THE WALL. FIRE BARRIER 3M MODEL PSS7904 CAL. STATE FIRE MARSHALL LISTING NO. 4485-0941-100.



NOT USED

VENT TROUGH ROOF

PIPE SLEEVES THROUGH WALLS/FLOORS

NO.	DESCRIPTION	BY	DATE	NO.	DESCRIPTION	BY	DATE
1	30% CD	BG	04.27.09	7	ISSUE FOR CONSTRUCTION		08.30.10
2	OWNER REVIEW		05.28.09				
3	PERMIT ISSUE		06.04.09	8	DELTA 8		04.01.11
4	PC-RESUBMIT		08.31.09	9	FOR CONSTRUCTION		04.25.11
5	PC-COMMENTS		10.07.09				
6	PC-RESUBMIT		05.28.10	10	DELTA 9		05.27.11
				11	DELTA 10		06.06.11

KEYPLAN

**nonzero\architecture**  
PETER GRUENEISEN, FAIA

1528 B CLOVERFIELD BOULEVARD  
SANTA MONICA CALIFORNIA 90404  
310 453 8000 telephone  
310 453 8001 fax  
info@bauton.com

www.nonzeroarch.com  
www.bauton.com

SANTA MONICA CITY TV  
1654 19TH STREET, SANTA MONICA, CA 90404  
PROJECT

PLUMBING DETAILS

DATE	PROJECT NO.
-	12-805
DRAWN	
REVIEWED	
NONE	
SCALE	DRAWING NO.

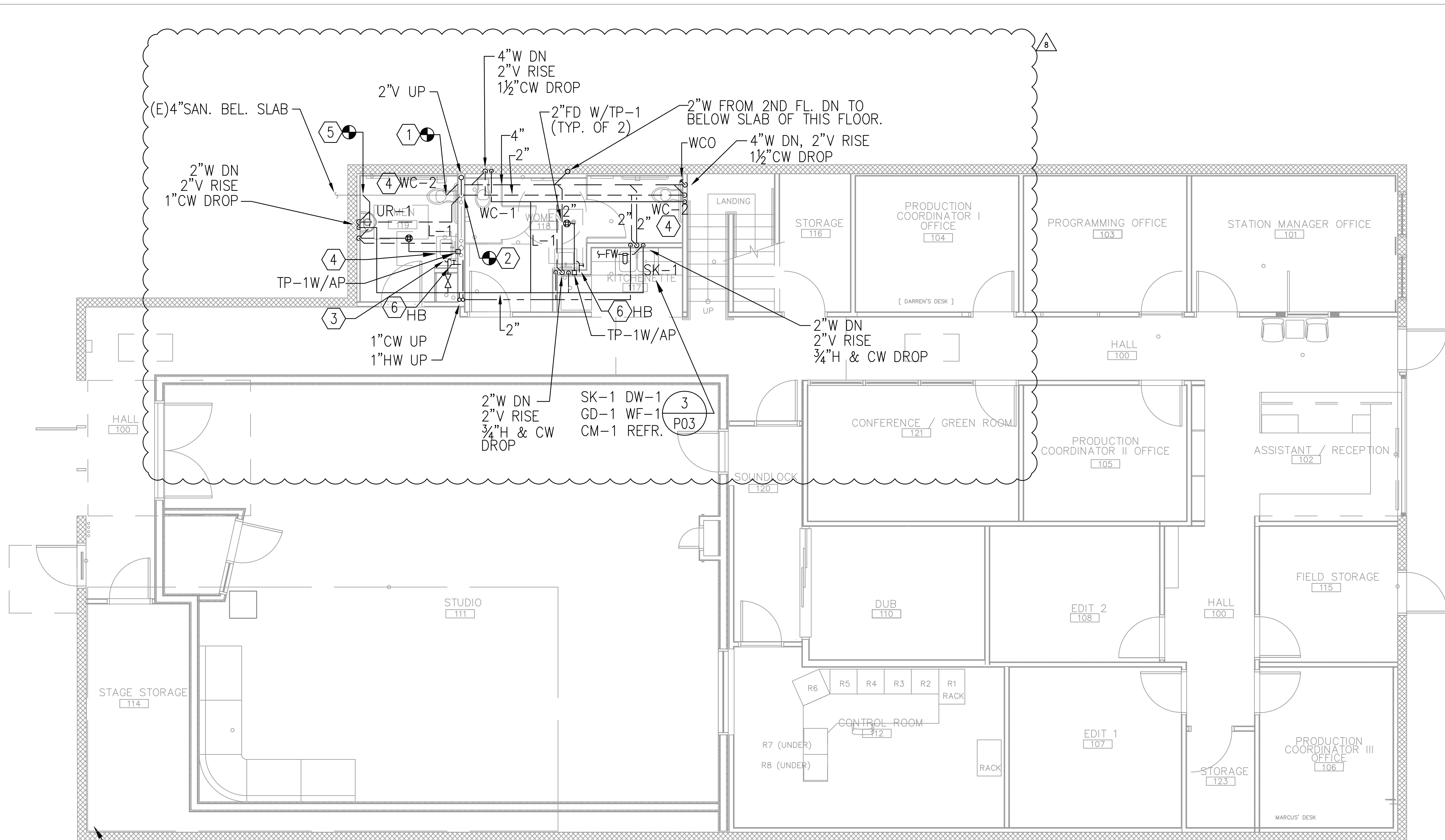
P0.3

STAMP





15260 Ventura Blvd. Suite 1520,  
Sherman Oaks, CA 91403  
tel: 818.508.6300 fax: 818.508.7050  
www.arceng.net



NO.	DESCRIPTION	BY	DATE	NO.	DESCRIPTION	BY	DATE
1	30% CD	BG	04.27.09	7	ISSUE FOR CONSTRUCTION		08.30.10
2	OWNER REVIEW		05.28.09				
3	PERMIT ISSUE		06.04.09	8	DELTA 8		04.01.11
4	PC-RESUBMIT		08.31.09	9	FOR CONSTRUCTION		04.25.11
5	PC-COMMENTS		10.07.09				
6	PC-RESUBMIT		05.28.10	10	DELTA 9		05.27.11
				11	DELTA 10		06.06.11

KEYPLAN

**nonzero\architecture**  
PETER GRUENEISEN, FAIA

1528 B CLOVERFIELD BOULEVARD  
SANTA MONICA CALIFORNIA 90404  
310 453 8000 telephone  
310 453 8001 fax  
info@bauton.com

www.nonzeroarch.com  
www.bauton.com

**SANTA MONICA CITY TV**  
1654 19TH STREET, SANTA MONICA, CA 90404

PROJECT  
**1ST FLOOR PLUMBING PLAN**

DRAWING	DATE	PROJECT NO.
	DRAWN	12-805
	REVIEWED	
	SCALE	DRAWING NO.

1/4"=1'-0"

**P2.0**

### PLUMBING SPECIFIC NOTES

① NEW 4" SAN PIPE BELOW FLOOR TO BE CONNECTED TO EXIST. 4" SAN. CONTRACTOR TO VERIFY EXACT LOCATION AND SIZE OF THE EXIST. SAN. LINE.

② NEW 2" VENT LINE CONNECT TO EXISTING VENT LINE IN CEILING SPACE. CONTRACTOR TO VERIFY EXACT LOCATION AND SIZE OF EXISTING VENT LINE.

③ NEW 2" CW LINE TO BE CONNECTED IN CEILING TO EXIST. MAIN CW LINE OF THE EQUAL OR LARGER CW PIPE. CONTRACTOR TO VERIFY EXACT LOCATION & SIZE OF THE EXIST. CW MAIN.

④ EXISTING PLUMBING FIXTURE TO BE REMOVED AND REPLACED WITH NEW. PLUMBING FIXTURES TO BE SPECIFIED BY ARCHITECT.

⑤ NEW 2" SAN PIPE BELOW FLOOR CONNECT TO EXIST. 4" SAN. CONTRACTOR TO VERIFY EXACT LOCATION AND SIZE OF THE EXIST. SAN. LINE.

⑥ INSTALL HOSE BIBB (HB) ON WALL BELOW LAVATORY AND CONNECT TO EXISTING CW PIPE INSIDE THE WALL. EXACT HB LOCATION TO BE COORDINATED WITH ARCHITECT PRIOR TO INSTALLATION.

THESE DOCUMENTS AND THEIR CONTENT CONTAIN INFORMATION PROPRIETARY TO nonzero\architecture AND ARE PROTECTED BY LEGAL COPYRIGHTS. ALL RIGHTS RESERVED. © nonzero\architecture

studio **bauton**  
AUDIOVISUAL FACILITIES



15260 Ventura Blvd. Suite 1520,  
Sherman Oaks, CA 91403  
tel: 818.508.6300 fax: 818.508.7050  
www.arceng.net

NO.	DESCRIPTION	BY	DATE	NO.	DESCRIPTION	BY	DATE
1	30% CD	BG	04.27.09	7	ISSUE FOR CONSTRUCTION		08.30.10
2	OWNER REVIEW		05.28.09				
3	PERMIT ISSUE		06.04.09	8	DELTA 8		04.01.11
4	PC-RESUBMIT		08.31.09	9	FOR CONSTRUCTION		04.25.11
5	PC-COMMENTS		10.07.09				
6	PC-RESUBMIT		05.28.10	10	DELTA 9		05.27.11
				11	DELTA 10		06.06.11

KEYPLAN

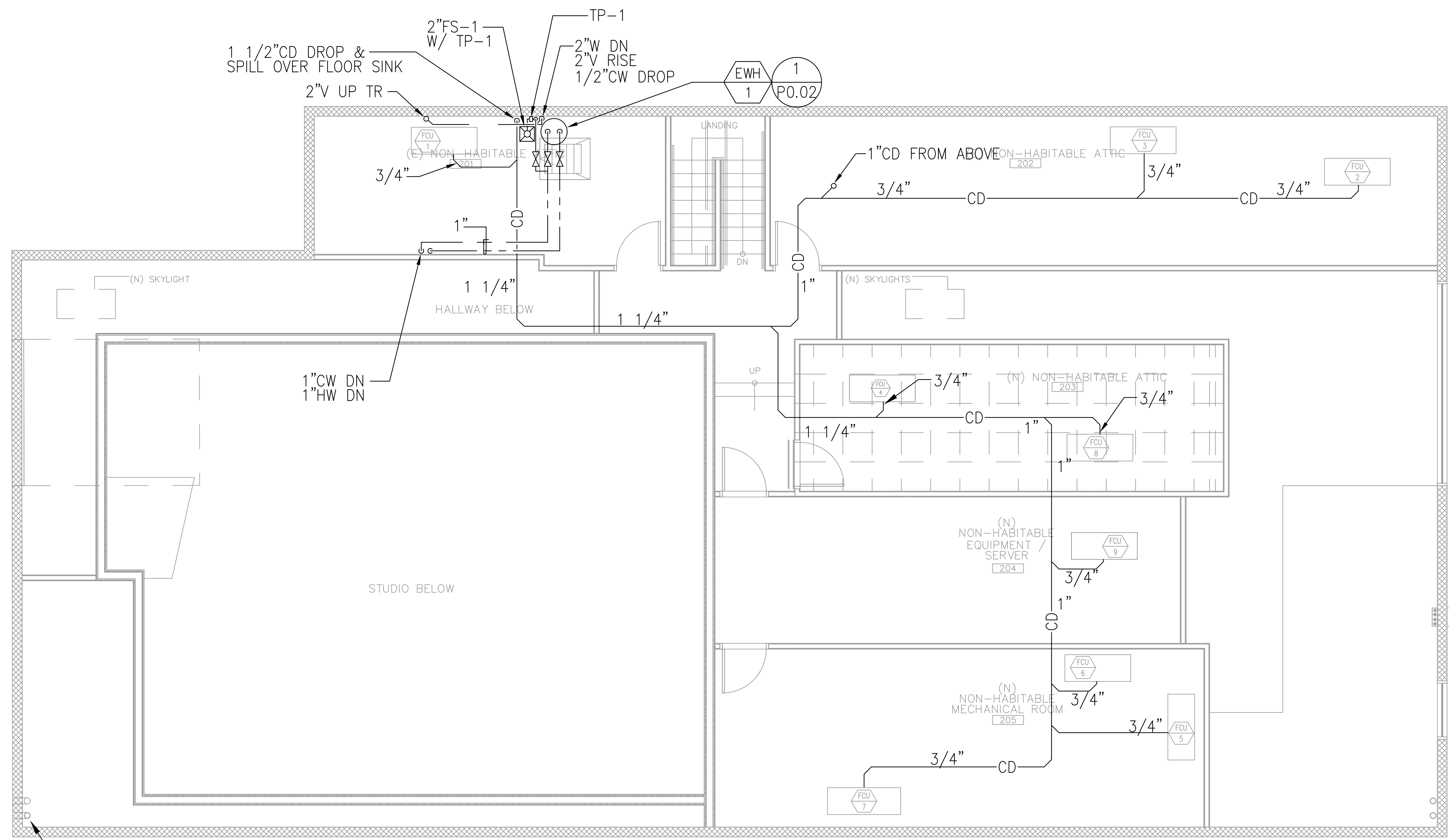
**nonzero\architecture**  
PETER GRUENEISEN, FAIA  
1528 B CLOVERFIELD BOULEVARD  
SANTA MONICA CALIFORNIA 90404  
310 453 8000 telephone  
310 453 8001 fax  
info@bauton.com  
www.nonzeroarch.com  
www.bauton.com

SANTA MONICA CITY TV  
1654 19TH STREET, SANTA MONICA, CA 90404  
PROJECT

2ND FLOOR  
PLUMBING PLAN

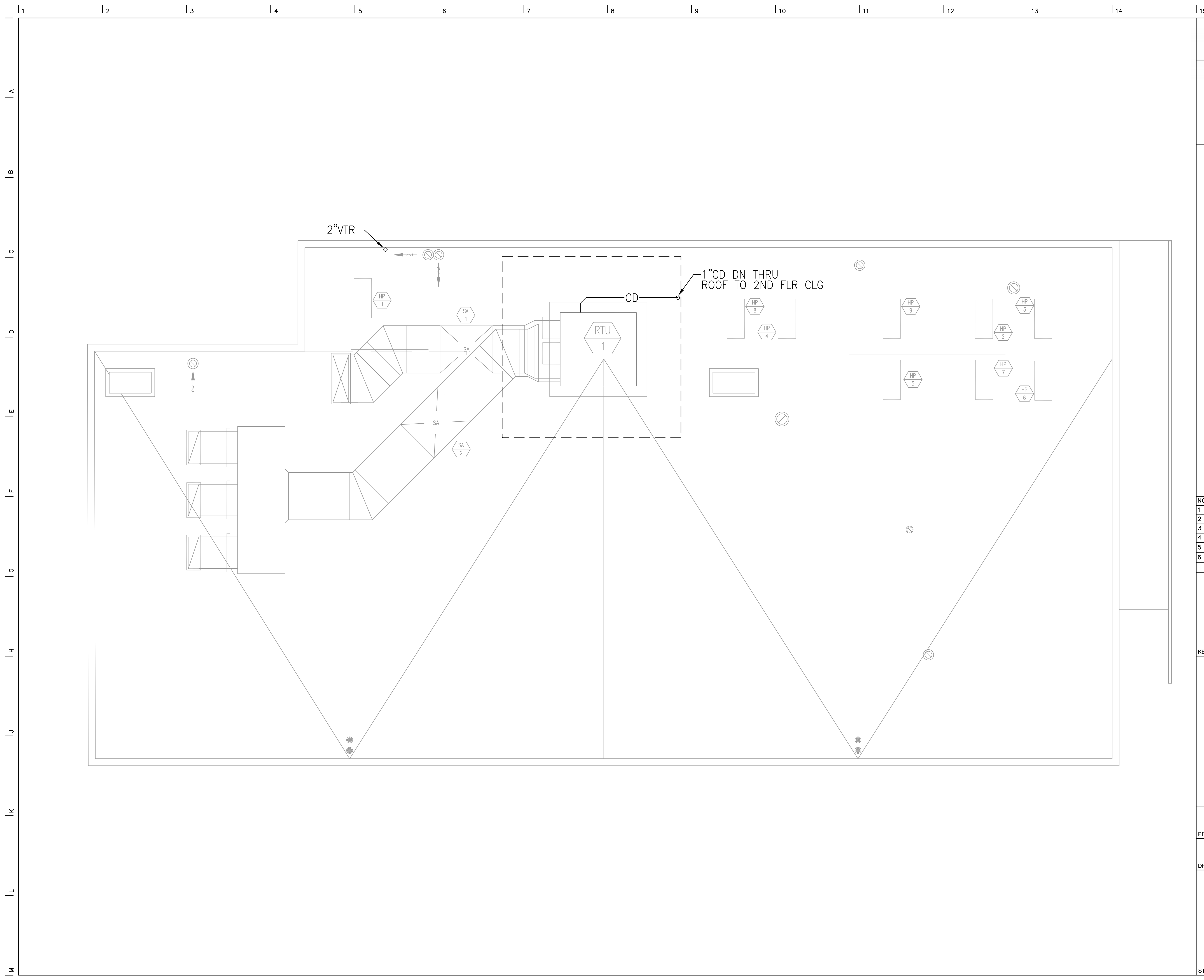
DRAWING	DATE	12-805
	DRAWN	PROJECT NO.
	REVIEWED	
	SCALE	
STAMP	1/4"=1'-0"	DRAWING NO.

P3.0



1  
A  
B  
C  
D  
E  
F  
G  
H  
J  
K  
L  
M

2 3 4 5 6 7 8 9 10 11 12 13 14 15



THESE DOCUMENTS AND THEIR CONTENT CONTAIN INFORMATION PROPRIETARY TO nonzero\architecture AND ARE PROTECTED BY LEGAL COPYRIGHTS. ALL RIGHTS RESERVED. © nonzero\architecture

**studio bauton**  
AUDIOVISUAL FACILITIES



15260 Ventura Blvd, Suite 1520,  
Sherman Oaks, CA 91403  
tel: 818.508.6300 fax: 818.508.7050  
www.arceng.net

NO.	DESCRIPTION	BY	DATE	NO.	DESCRIPTION	BY	DATE
1	30% CD	BG	04.27.09	7	ISSUE FOR CONSTRUCTION		08.30.10
2	OWNER REVIEW		05.28.09				
3	PERMIT ISSUE		06.04.09	8	DELTA 8		04.01.11
4	PC-RESUBMIT		08.31.09	9	FOR CONSTRUCTION		04.25.11
5	PC-COMMENTS		10.07.09				
6	PC-RESUBMIT		05.28.10	10	DELTA 9		05.27.11
				11	DELTA 10		06.06.11

KEYPLAN

**nonzero\architecture**  
PETER GRUENEISEN, FAIA

1528 B CLOVERFIELD BOULEVARD  
SANTA MONICA CALIFORNIA 90404  
310 453 8000 telephone  
310 453 8001 fax  
info@bauton.com

www.nonzeroarch.com  
www.bauton.com

**SANTA MONICA CITY TV**  
1654 19TH STREET, SANTA MONICA, CA 90404  
PROJECT

**PLUMBING ROOF PLAN**

DRAWING	DATE	-	PROJECT NO. <b>12-805</b>
	DRAWN	-	
	REVIEWED	-	
	SCALE	1/4"=1'-0"	
STAMP		DRAWING NO.	<b>P4.0</b>